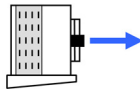


# Optigo CC

## Commercial unit coolers in draw-through design

### General information & application

Optigo CC are commercial single discharge unit coolers in draw-through design for general application in small to medium-sized cooling and freezing rooms. A wide range of models make them especially suitable for refrigerated working, processing and storage rooms. Dedicated ranges for HFO/HFC DX refrigerants (CCE), brine (CCW) and CO<sub>2</sub> DX (CCX). A selection of Optigo CC air coolers is available from stock.



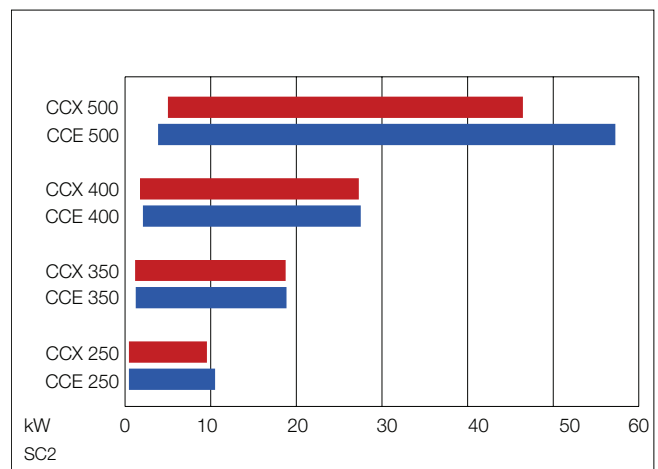
Optigo CC

Evaporating temperatures	+10 to -30 °C
Refrigerants	all HFO/HFC, brine and CO <sub>2</sub>
Capacities (SC2)	1 up to 55 kW
Air volume	770 up to 30000 m <sup>3</sup> /h

### Coil

Internally grooved Cu tubes and aluminium fins. Staggered tube pitch. All CCE models fitted with a T-connection to improve refrigerant distribution for hotgas defrost in coil.

cooler model	Fin spacing (mm)				
	4.0	5.5	7.0	10.0	12.0
CC 250	✓	✓	✓		
CC 350	✓	✓	✓		
CC 400	✓	✓	✓		
CC 500	✓	✓	✓	✓	✓



### Casing

All casing parts made of durable sheet metal, epoxy coated RAL 9002. Top plate corrosion resistant Magnelis®. All models fitted with hinged side panels and aluminium drip-tray. Drip-tray is adjustable for perfect leveling. Removable internal drip-tray for inspection and cleaning.

### Fan motors

1 to 4 fans fitted with AC or EC fan motors available in two fan speeds (noise levels). Fan diameters 250, 350 mm, 400 or 500 mm drawing through the coil. Fan motors 460/60/3 available as option. Fan motor details on reverse page.

### Design pressure

Design pressure 40 bar (HFO/HFC, model CCE), 10 bar

(brine, model CCW) or 80 bar (CO<sub>2</sub>, model CCX). Each heat exchanger is leak tested with dry air and finally supplied with a nitrogen pre-charge.

### Benefits

- 80 bar design pressure for CO<sub>2</sub>
- Eurovent certified performance (CCE models only)
- Easy installation & maintenance
- Energy efficient EC & AC fans
- Hotgas defrost ready
- Two-year product guarantee
- Easy access to additional on-line product information (QR code)



Optigo CC

## Options

- Defrost systems
  - Electric defrost (standard E, heavy E2)
  - Hotgas defrost in driptray (HG)
  - Electric heater element in driptray (HD)
- Shut up socks (S)
- Driptray insulation (IS)
- Fan ring heater (FRH)
- Air sock adapter ring - CC 400/500 only (SR)
- Re-heating coil (RH)
- Fan motors wired to central terminal box (CB)
- Repair switch (SW)
- Casing material
  - Stainless steel casing and frame (SS)
- Coil corrosion protection
  - epoxy coated aluminium fins (EP)
  - cataphoresis treatment (CA)

cooler model	Dimensions (mm)					Shipping volume m <sup>3</sup>
	C	H	L	A	B	
CC 251	811	423	418	508	-	0.3
CC 252	1319	423	418	1016	-	0.5
CC 253	1827	423	418	1524	-	0.7
CC 254	2335	423	418	2032	1016	0.9
CC 351	811	602	418	508	-	0.4
CC 352	1319	602	418	1016	-	0.7
CC 353	1827	602	418	1524	-	0.9
CC 354	2335	602	418	2032	1016	1.2
CC 401	1046	668	583	600	-	0.7
CC 402	1646	668	583	1200	-	1.1
CC 403	2246	668	583	1800	-	1.5
CC 404	2846	668	583	2400	1200	2.1
CC 501	1297	854	583	850	-	1.3
CC 502	2147	854	583	1700	-	2.1
CC 503	2997	854	583	2550	-	2.9
CC 504	3847	854	583	3400	1700	3.7

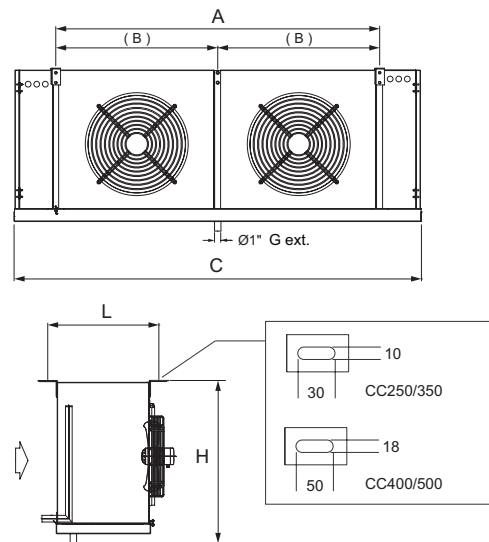
## Code description

CC	E	H	E	35	1	1	A	S	*	BO	SS	E	*	EP	4.0	CU	IS
1	2	3	4	5	6	7	8	9	10	11	12	13	14	15	16	17	18

- Commercial unit cooler
- Refrigerant system (E=HFO/HFC DX, X=CO<sub>2</sub> DX, W=brine)
- Fan speed (H=high speed, L=low speed)
- Fan motor type (blank=AC, E=EC)
- Fan diameter (25=250, 35=350, 40=400, 50=500 mm)
- Number of fans (1 to 4)
- CC version
- Tube rows code (A, B, C)
- No. of phases (S=1, T=3)
- No. of circuits
- Packing (BO=box, CR=crate)
- Casing material (PC=powder coated, SS=stainless steel)
- Defrost system (A=air defrost, E=electric defrost, HG=hotgas, HG+E=hotgas + electric defrost in driptray)
- Electrical options
- Fin material (AL=aluminium, EP=epoxy coated aluminium, CA=cataphoresis)
- Fin spacing (4, 5.5, 7, 10, 12 mm)
- Tube material (CU=copper)
- Options

## Fan motors

Fan diam.	Fan speed	Speed rpm	Nr. of poles	Volt V	Nr. of phases	Freq. Hz
250	H	2250	2	230	1	50-60
250	L	1350	4	230	1	50
250	H	2500	2	230-400	3	50-60
350	H	1400	4	230	1	50-60
350	L	945	6	230	1	50-60
350	H	1370	4	230-400	3	50-60
400	H	1380	4	230	1	50-60
400	L	870	6	230	1	50-60
400	H	1340	4	400	3	50-60
400	L	900	4	400	3	50-60
400	H	1450	6	460	3	60
500	H	1300	4	230	1	50-60
500	L	910	6	230	1	50-60
500	H	1400	4	400	3	60
500	H	1390	4	400	3	50
500	L	870	6	400	3	50-60



## Selection

Selection and pricing is to be performed with our Alfa LU-VE air heat exchanger selection software. Selection output includes all relevant technical data and dimensional drawings.

## Certifications

Eurovent certified performance only applies to models included in the scope of the programme. Check certificate validity on [www.eurovent-certification.com](http://www.eurovent-certification.com). The Alfa LU-VE quality system is in accordance with ISO 9001. All products are manufactured according to PED regulations.



AHE00007EN 2001

Alfa LU-VE is a trademark registered and owned by LU-VE Group. Alfa LU-VE reserves the right to change specifications without prior notification.

## How to contact Alfa LU-VE

Up-to-date Alfa LU-VE contact details for all countries are always available on our website at [alfa.luvegroup.com](http://alfa.luvegroup.com)